

**PLEASE CHECK WWW.MOLEX.COM FOR LATEST PART INFORMATION**

**Part Number:** [0887685400](#)  
**Status:** **Active**  
**Overview:** [dms59](#)  
**Description:** 1.27mm (.050") Pitch DMS-59® -to-DVI-I(F)+VGA(F) Adapter Cable Assembly, 0.20m (7.87") Length

**Documents:**

[Drawing \(PDF\)](#) [RoHS Certificate of Compliance \(PDF\)](#)

**General**

Product Family Cable Assemblies  
 Series [88759](#)  
 Connector to Connector DMS-59™-to-DVI-/VGA  
 Overview [dms59](#)  
 Product Name DMS59®

**Physical**

Cable Length 0.20m (7.87")  
 Circuits (Loaded) 59  
 Color - Resin Black  
 Gender Male-Female  
 Lock to Mating Part Yes  
 Material - Metal Aluminum, Phosphor Bronze, Steel  
 Material - Plating Mating Gold, n/a  
 Material - Plating Termination Tin  
 Material - Resin High Temperature Thermoplastic, Low Density Polyethylene  
 Packaging Type Bag  
 Pitch - Mating Interface (in) 0.050 In  
 Pitch - Mating Interface (mm) 1.27 mm  
 Plating min: Mating (µin) 2, 30, 75  
 Plating min: Mating (µm) 0.05, 0.75, 1.875  
 Plating min: Termination (µin) 100, 150  
 Plating min: Termination (µm) 2.5, 3.75  
 Single Ended No  
 Termination Interface: Style N/A, Through Hole  
 Wire Insulation Diameter N/A  
 Wire Size AWG 32  
 Wire/Cable Type Round

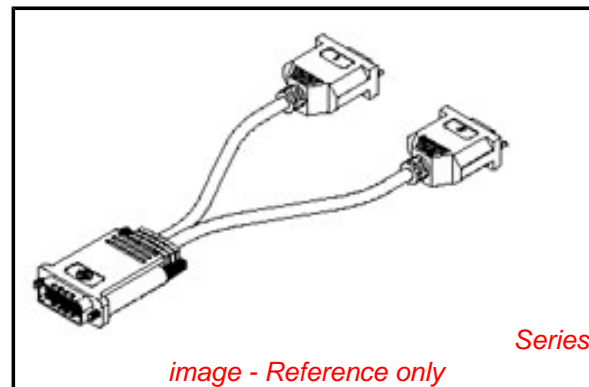
**Electrical**

Current - Maximum per Contact 1A  
 Impedance 100 ohms  
 Shielded Yes  
 Voltage - Maximum 30V AC

**Material Info**

**Reference - Drawing Numbers**

Sales Drawing SD-88744-098



**EU RoHS**

**ELV and RoHS  
 Compliant**  
**REACH SVHC  
 Not Reviewed**  
**Halogen-Free  
 Status**

**China RoHS**



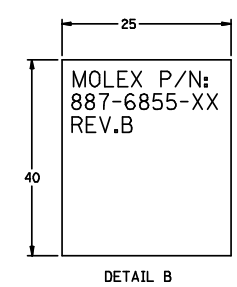
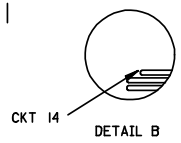
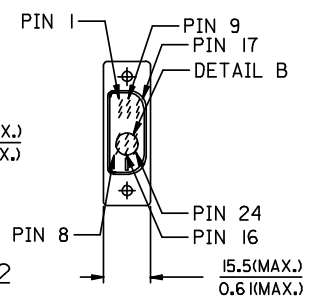
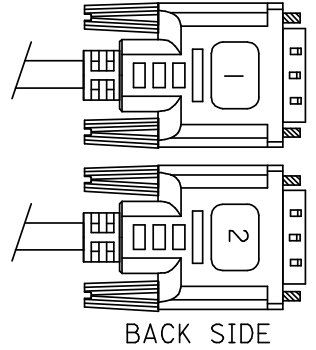
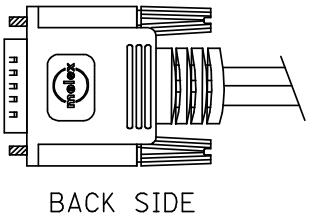
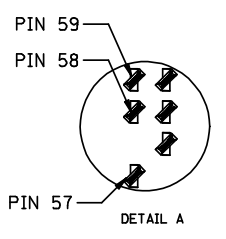
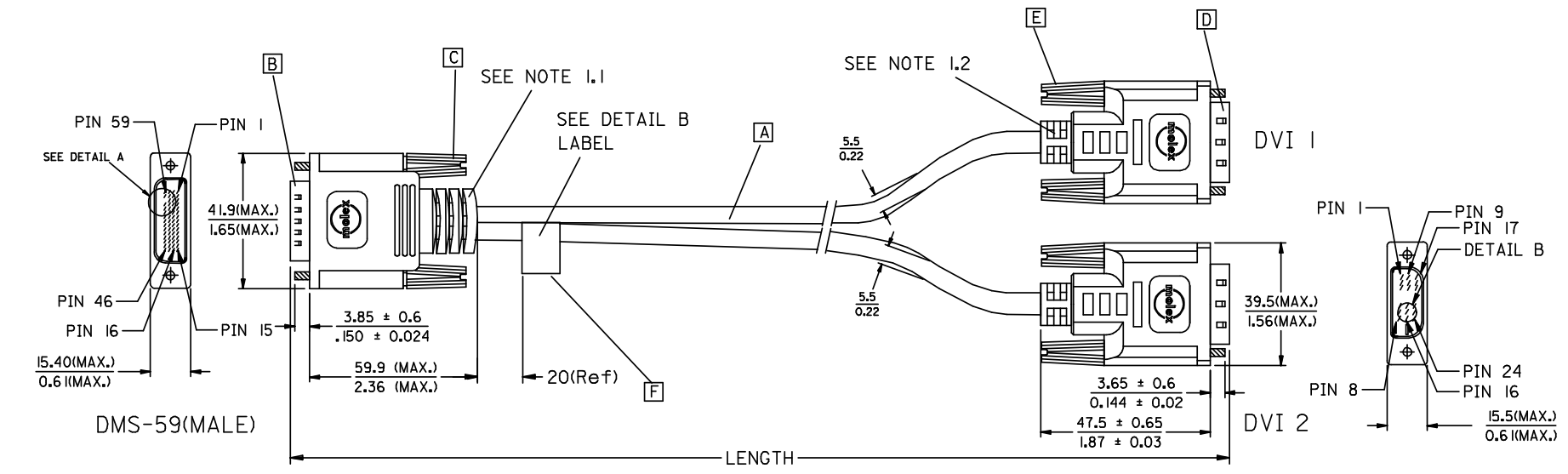
**Need more information on product  
 environmental compliance?**

Email [productcompliance@molex.com](mailto:productcompliance@molex.com)  
 For a multiple part number RoHS Certificate of Compliance, [click here](#)

Please visit the [Contact Us](#) section for any non-product compliance questions.

**Search Parts in this Series**

[88759Series](#)



ENTER DESCRIPTION EC NO: DG2009-0015 DRWN:XMLIANG CHKD: APPR:BLAU	DESCRIPTION 2008/07/23 2008/07/23 2008/07/24	QUALITY SYMBOLS	GENERAL TOLERANCES (UNLESS SPECIFIED)		DIMENSION STYLE MM/IN		SCALE ---	DESIGN UNITS METRIC	THIRD ANGLE PROJECTION	
		▼=0 ▽=0	mm	INCH	DRAWN BY	DATE	TITLE	DMS59(M) TO TWO DVI-D(M) CABLE ASS'Y  MOLEX MOLEX INCORPORATED		
		4 PLACES ± --- ± --- 3 PLACES ± --- ± --- 2 PLACES ± --- ± --- 1 PLACE ± --- ± ---			JL IU13	2007/11/07				
		ANGULAR ± ---°	DRAFT WHERE APPLICABLE MUST REMAIN WITHIN DIMENSIONS		APPROVED BY	DATE	DOCUMENT NO.	SHEET NO.		
REV				BLAU	2007/11/07	SD-88744-099	1 OF 3			

WIRING DIAGRAM:

SHIELD	SHIELD	GROUND
PIN 24	PIN 32	DVI1_TXC-
PIN 23	PIN 31	DVI1_TXC+
PIN 22	PIN 57	DVI1_TXC RTN
PIN 19	PIN 33	DVI1_TX0 RTN
PIN 18	PIN 29	DVI1_TX0+
PIN 17	PIN 30	DVI1_TX0-
PIN 16	PIN 36	DVI1_HPD
PIN 15	PIN 54	Ground
PIN 14	PIN 5	+5V
PIN 11	PIN 34	DVI1_TX1 RTN
PIN 10	PIN 27	DVI1_TX1+
PIN 9	PIN 28	DVI1_TX1-
PIN 7	PIN 7	DVI1_SDA
PIN 6	PIN 6	DVI1_SCL
PIN 3	PIN 35	DVI1_TX2 RTN
PIN 2	PIN 25	DVI1_TX2+
PIN 1	PIN 26	DVI1_TX2-
DVI 1	DMS59	CABLE FUNCTION

SHIELD	SHIELD	GROUND
PIN 24	PIN 44	DVI2_TXC-
PIN 23	PIN 45	DVI2_TXC+
PIN 22	PIN 49	DVI2_TXC RTN
PIN 19	PIN 43	DVI2_TX0 RTN
PIN 18	PIN 16	DVI2_TX0+
PIN 17	PIN 17	DVI2_TX0-
PIN 16	PIN 40	DVI2_HPD
PIN 15	PIN 52	Ground
PIN 14	PIN 11	+5V
PIN 11	PIN 42	DVI2_TX1 RTN
PIN 10	PIN 18	DVI2_TX1+
PIN 9	PIN 19	DVI2_TX1-
PIN 7	PIN 9	DVI2_SDA
PIN 6	PIN 10	DVI2_SCL
PIN 3	PIN 41	DVI2_TX2 RTN
PIN 2	PIN 20	DVI2_TX2+
PIN 1	PIN 21	DVI2_TX2-
DVI 2	DMS59	CABLE FUNCTION

ENTER DESCRIPTION EC NO: DG2009-0015 DRWN:XMLIANG CHKD: APPR:BLAU	DESCRIPTION 2008/07/23 2008/07/23 2008/07/24	QUALITY SYMBOLS	GENERAL TOLERANCES (UNLESS SPECIFIED)		DIMENSION STYLE		SCALE	DESIGN UNITS	THIRD ANGLE PROJECTION			
		= 0 = 0	mm	INCH	MM/IN	---	METRIC	TITLE DMS59(M) TO TWO DVI-D(M) CABLE ASS'Y				
		4 PLACES ± --- ± --- 3 PLACES ± --- ± --- 2 PLACES ± --- ± --- 1 PLACE ± --- ± --- ANGULAR ± ---°	DRAWN BY DATE		CHECKED BY DATE		APPROVED BY DATE					
		REV	D	DRAFT WHERE APPLICABLE MUST REMAIN WITHIN DIMENSIONS		SEE TABLE A		MATERIAL NO.		DOCUMENT NO.		SHEET NO.
				SIZE A 4		THIS DRAWING CONTAINS INFORMATION THAT IS PROPRIETARY TO MOLEX INCORPORATED AND SHOULD NOT BE USED WITHOUT WRITTEN PERMISSION		MOLEX MOLEX INCORPORATED		2 OF 3		

NOTE:1. OVERMOLD SPECIFICATION

- 1.1 DMS59 BOOT MOLDED WITH SNOW WHITE PVC RESIN,UL 94V-0.
- 1.2 DVI BOOT MOLDED WITH SNOW WHITE PVC RESIN,UL 94V-0.

2. MECHANICAL SPECIFICATION

- ▽2.1 CABLE SHOULD STAND THE PULL FORCE 89-111N FOR 30 SECONDS WITH NO VISIBLE TERMINATION DAMAGE.
- 2.2 CABLE SHOULD PASS THE FLEX TEST IN 100 CYCLES AT EACH OF PLANES, PER EIA 364-41, CONDITION 1.

3. PRODUCT ELECTRICAL SPECIFICATION


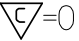
- ▽3.1 DIELECTRIC STRENGTH: 300V DC FOR 10mS.
- ▽3.2 INSULATION RESISTANCE: 20 MEGA Ohms(MIN.).
- ▽3.3 CONTACT RESISTANCE: 2 Ohms(MAX.).
- ▽3.4 DIFFERENTIAL LINES CHARACTERISTIC IMPEDANCE: 100±7 Ohms @TDR.
- 3.5 SIGNALS CROSSTALK(FEXT): 5% (MAX.) PER ANSI/EIA-364-90.
- 3.6 SIGNALS INTRA-PAIR SKEW (PER CABLE): <150 ps.
- 4.CONNECTOR PLATING: AU FLASH PLATING.
- 5.SHORTCIRCUIT AMONG DRAIN WIRES IS ACCEPTABLE.
- 6.SCREW SPEC.:4-40 UNC.

MATERIAL LIST:

F	LABEL	I
E	DVI THUMB SCREW (4-40UNC)	4
D	DVI_D SINGLE CHANNEL G/F CONNECTOR	2
C	LFH SCREW (4-40UNC)	2
B	DMS-59 PLUG ASSY(NATURE)	1
A	DVI-D SINGLE LINK CABLE	2
ITEM	DESCRIPTION	QTY.

TABLE A

88768-5510	DMS59(M) TO TWO DVI-D(M) S/L CABLE 3M	3000±60
88768-5500	DMS59(M) TO TWO DVI-D(M) S/L CABLE 2M	2000±50
MX-P/N	DESCRIPTION	LENGTH

ENTER DESCRIPTION EC NO: DG2008-0035 DRWN: JLIU13 CHKD:BLAU APPR:BLAU	2007/11/07 2007/11/16 2007/12/07	QUALITY SYMBOLS  =0  =0	GENERAL TOLERANCES (UNLESS SPECIFIED)		DIMENSION STYLE MM/IN		SCALE ---	DESIGN UNITS METRIC	THIRD ANGLE PROJECTION			
				mm	INCH	DRAWN BY JLIU13	DATE 2007/11/07	TITLE DMS59(M) TO TWO DVI-D(M) CABLE ASS'Y				
			4 PLACES	± ---	± ---	CHECKED BY BLAU	DATE 2007/11/07					
			3 PLACES	± ---	± ---	APPROVED BY BLAU	DATE 2007/11/07	MOLEX INCORPORATED MATERIAL NO. SEE TABLE A DOCUMENT NO. SD-88744-099				
2 PLACES	± ---	± ---	DRAFT WHERE APPLICABLE MUST REMAIN WITHIN DIMENSIONS									
1 PLACE	± ---	± ---			SIZE A 4		THIS DRAWING CONTAINS INFORMATION THAT IS PROPRIETARY TO MOLEX INCORPORATED AND SHOULD NOT BE USED WITHOUT WRITTEN PERMISSION					
		ANGULAR ± ---°								SHEET NO. 3 OF 3		

NOTE:1. OVERMOLD SPECIFICATION

- 1.1 DMS59 BOOT MOLDED WITH SNOW WHITE PVC RESIN,UL 94V-0.
- 1.2 DVI BOOT MOLDED WITH SNOW WHITE PVC RESIN,UL 94V-0.

2. MECHANICAL SPECIFICATION

- ▽2.1 CABLE SHOULD STAND THE PULL FORCE 89-111N FOR 30 SECONDS WITH NO VISIBLE TERMINATION DAMAGE.
- 2.2 CABLE SHOULD PASS THE FLEX TEST IN 100 CYCLES AT EACH OF PLANES, PER EIA 364-41, CONDITION 1.

3. PRODUCT ELECTRICAL SPECIFICATION

- ▽3.1 DIELECTRIC STRENGTH: 300V DC FOR 10mS.
- ▽3.2 INSULATION RESISTANCE: 20 MEGA Ohms(MIN.).
- ▽3.3 CONTACT RESISTANCE: 2 Ohms(MAX.).
- ▽3.4 DIFFERENTIAL LINES CHARACTERISTIC IMPEDANCE: 100±7 Ohms @TDR.
- 3.5 SIGNALS CROSSTALK(FEXT): 5% (MAX.) PER ANSI/EIA-364-90.
- 3.6 SIGNALS INTRA-PAIR SKEW (PER CABLE): <150 ps.
- 4.CONNECTOR PLATING: AU FLASH PLATING.
- 5.SHORTCIRCUIT AMONG DRAIN WIRES IS ACCEPTABLE.
- 6.SCREW SPEC.:4-40 UNC.

MATERIAL LIST:

F	LABEL	I
E	DVI THUMB SCREW (4-40UNC)	4
D	DVI_D SINGLE CHANNEL G/F CONNECTOR	2
C	LFH SCREW (4-40UNC)	2
B	DMS-59 PLUG ASSY(NATURE)	1
A	DVI-D SINGLE LINK CABLE	2
ITEM	DESCRIPTION	QTY.

TABLE A

88768-5510	DMS59(M) TO TWO DVI-D(M) S/L CABLE 3M	3000±60
88768-5500	DMS59(M) TO TWO DVI-D(M) S/L CABLE 2M	2000±50
MX-P/N	DESCRIPTION	LENGTH

ENTER DESCRIPTION EC NO: DG2009-0015 DRWN:XMLIANG CHKD: APPR:BLAU	2008/07/23 2008/07/23 2008/07/24	DESCRIPTION REV	QUALITY SYMBOLS	GENERAL TOLERANCES (UNLESS SPECIFIED)		DIMENSION STYLE		SCALE	DESIGN UNITS	THIRD ANGLE PROJECTION	
			▼=0 ▽=0	mm	INCH	MM/IN	---	METRIC	TITLE DMS59(M) TO TWO DVI-D(M) CABLE ASS'Y		
				4 PLACES ± ---	± ---	DRAWN BY	DATE				
				3 PLACES ± ---	± ---	JLIU13	2007/11/07				
DRAFT WHERE APPLICABLE MUST REMAIN WITHIN DIMENSIONS		ANGULAR ± ---°		CHECKED BY	DATE	MOLEX MOLEX INCORPORATED		MATERIAL NO. DOCUMENT NO. SHEET NO. SEE TABLE A SD-88768-099 3 OF 3			
		SIZE A 4		APPROVED BY DATE BLAU 2007/11/07						THIS DRAWING CONTAINS INFORMATION THAT IS PROPRIETARY TO MOLEX INCORPORATED AND SHOULD NOT BE USED WITHOUT WRITTEN PERMISSION	